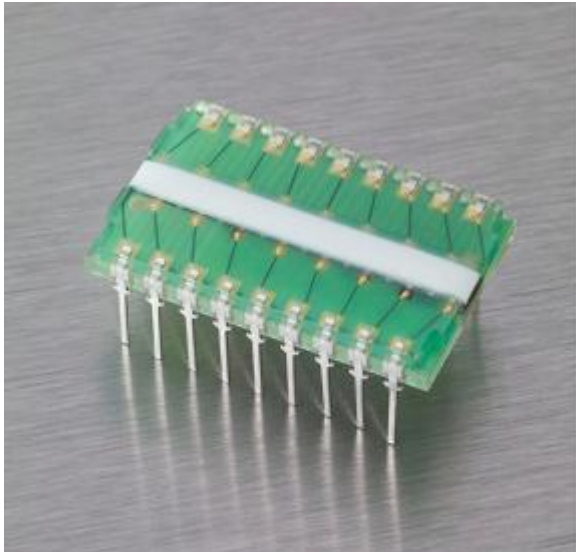


## VTA1616H Series

# Linear Photodiode Array (PDA) for X-ray Scanning



VTA1616H-L-SC-08-1

The VTA1616H series is a 16-channel High Resolution Photodiode Array (PDA). There are 16 single element photodiodes mounted directly on an FR-4 PCB. The pitch (sensor-to-sensor spacing of adjacent chips) for this series is 1.6 mm; other pitches are available as off the shelf or as custom devices.

A molded encapsulant of X-ray radiation hard, transparent material protects the device from damage and environmental influences. These parts are available with or without a scintillator material mounted over the photodiode active area to convert X-rays into visible photons of light.

These devices can be used as single energy detectors with a range of available scintillator crystals. They can also be used in dual-energy systems in a stacked configuration for simultaneous detection of low and high energy radiation for better atomic number discrimination. This technique is particularly useful in security applications such as luggage scanning in airports or at critical infrastructure locations (train stations, sports stadiums, courthouses, etc.).

### Key Features

- Photodiodes with extremely low dark current
- High signal to noise ratio
- Scintillator crystals available on demand to convert incident X-rays into visible photons
- X-ray hard structure – no aging
- Extremely durable against humidity
- 16 channels at 1.6 mm pitch

### Applications

- Luggage Scanning
- Food inspection
- Cargo/container screening
- Non-destructive testing
- Industrial inspection

## VTA1616H Series

# Linear Photodiode Array (PDA) for X-ray Scanning

### Nomenclature

VTA1616H series part numbers are in the following format: **VTA1616H-W-XX-YY-Z**

**W:** Energy type (H-High, L-Low)

**XX:** Scintillator (NC-No scintillator, SC-With scintillator)

**YY:** Scintillator type (see *Scintillator Selection Guide* section below for all standard scintillator types)

**Z:** Photodiode type (0-Regular capacitance, 1-Low capacitance)

### Scintillator Selection Guide\*

High Energy Scintillator		Low Energy Scintillator	
Type no.	Characteristics	Type no.	Characteristics
VTA1616H-H-NC-00	No scintillator	VTA1616H-L-NC-00	No scintillator
VTA1616H-H-SC-01	CsI-Tl, 3 mm thick, segmented	VTA1616H-L-SC-03	Gd <sub>2</sub> O <sub>2</sub> S:Tb sheet, 310 µm thick, DRZ-High
VTA1616H-H-SC-05	Gd <sub>2</sub> O <sub>2</sub> S:Pr, 1.5 mm thick, segmented	VTA1616H-L-SC-08	Gd <sub>2</sub> O <sub>2</sub> S:Pr sheet, 200 µm thick

\* Scintillators are available using other materials and geometries upon request.

### Typical Scintillator Characteristics\*

Parameter	SC-01	SC-05	SC-03	SC-08	Unit
Composition	CsI-Tl	Gd <sub>2</sub> O <sub>2</sub> S:Pr	Gd <sub>2</sub> O <sub>2</sub> S:Tb sheet	Gd <sub>2</sub> O <sub>2</sub> S:Pr sheet	
Emission peak	550	512	545	512	nm
Decay time (@ 1/e)	1	4	600	3	µs
Decay time to 10 % peak	5	7	1500	7	µs
Afterglow	0.500 (after 20 ms)	0.015 (after 100 ms)	-	0.020 (after 100 ms)	%
Density	4.51	7.33	7.33	7.33	gm/cm <sup>3</sup>

\* These characteristics are typical, specifications will vary from manufacturer.

## VTA1616H Series

# Linear Photodiode Array (PDA) for X-ray Scanning

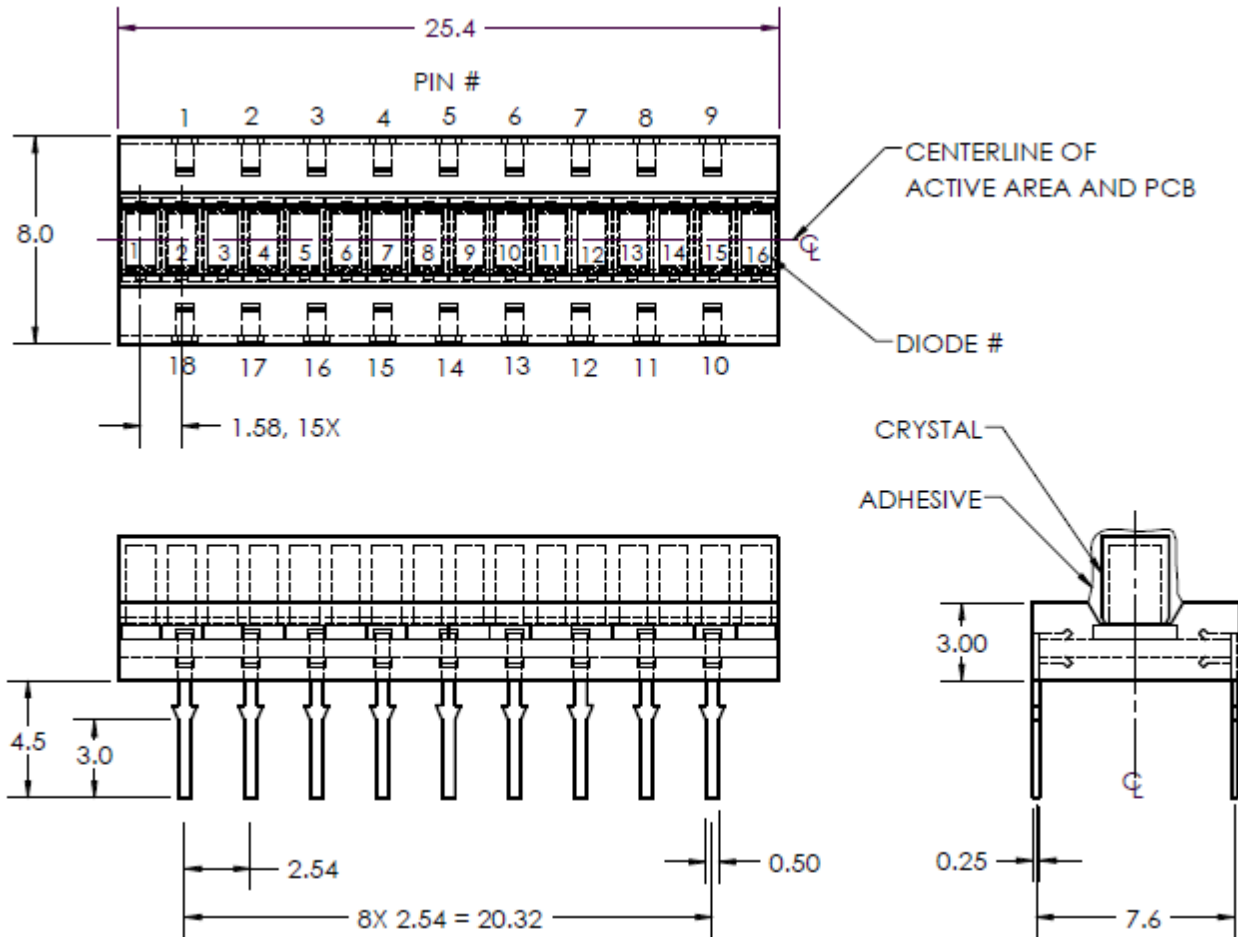
### Electro-Optical Characteristics

Parameter	Symbol	Conditions	VTA1616H-W-XX-YY-0			VTA1616H-W-XX-YY-1			Unit
			Min.	Typ.	Max.	Min.	Typ.	Max.	
Short circuit current	$I_{SC}$	25 ° C / 1000 lx 2850 K	15	16	19	15	16	19	$\mu$ A
Open circuit voltage	$V_{OC}$	25 ° C / 1000 lx 2850 K	380			380			mV
Forward voltage	$V_F$	25 ° C / 10 mA	0.4		1.2	0.4		1.2	mV
Dark current	$I_D$	25 ° C / 0 lx $\pm 10$ mV applied		3	15		10	40	pA
Junction capacitance	$C_J$	25 ° C / 0 lx 0 V applied		270	350		50	65	pF
Breakdown voltage	$V_{BR}$	25 ° C / 0 lx	20			20			V
Responsivity @ 550 nm	$\lambda_{550}$	25 ° C $\pm 10$ mV applied	0.28	0.34		0.28	0.34		A/W
Responsivity @ 950 nm	$\lambda_{950}$	25 ° C $\pm 10$ mV applied	0.45	0.55		0.45	0.55		A/W
Peak spectral sensitivity	$\lambda_{max}$			950			950		nm
Spectral response	$\lambda_{range}$		400		1100	400		1100	nm
Effective sensitive area (per element)	A		2.68			2.68			mm <sup>2</sup>
Chip size	l * w		3.15 x 1.56			3.15 x 1.56			mm <sup>2</sup>
Element pitch			1.58			1.58			mm
Number of elements			16			16			element

## Linear Photodiode Array (PDA) for X-ray Scanning

### Physical Configuration

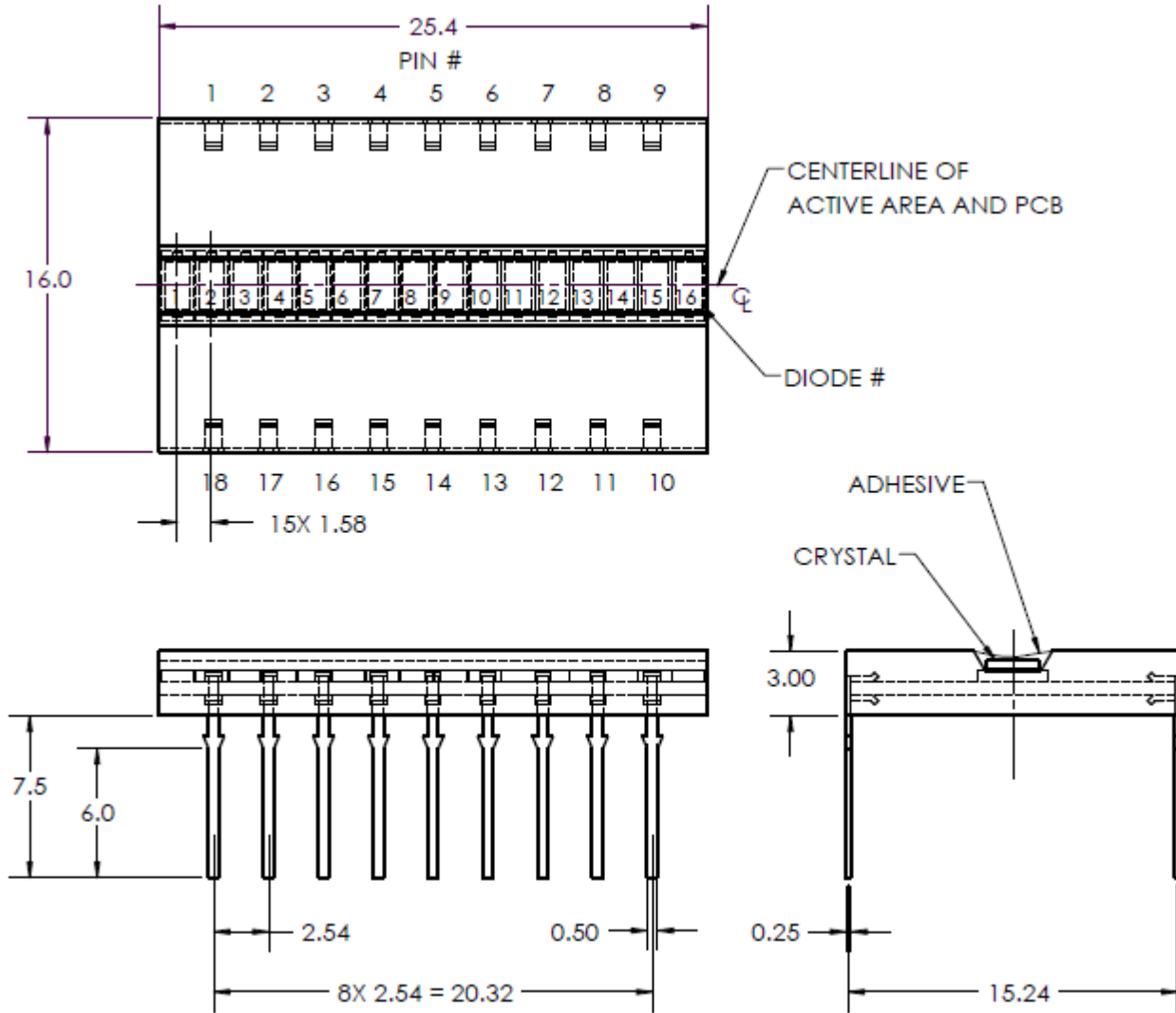
VTA1616H-H (Dimensions are in mm)



PIN#	Electrical Connection	PIN#	Electrical Connection
1	Anode 1	10	Anode 16
2	Anode 3	11	Anode 14
3	Anode 5	12	Anode 12
4	Anode 7	13	Anode 10
5	Anode 9	14	Anode 8
6	Anode 11	15	Anode 6
7	Anode 13	16	Anode 4
8	Anode 15	17	Anode 2
9	Common Cathode	18	Common Cathode

Linear Photodiode Array (PDA) for X-ray Scanning

VTA1616H-L (Dimensions are in mm)



PIN#	Electrical Connection	PIN#	Electrical Connection
1	Anode 1	10	Anode 16
2	Anode 3	11	Anode 14
3	Anode 5	12	Anode 12
4	Anode 7	13	Anode 10
5	Anode 9	14	Anode 8
6	Anode 11	15	Anode 6
7	Anode 13	16	Anode 4
8	Anode 15	17	Anode 2
9	Common Cathode	18	Common Cathode

## VTA1616H Series

# Linear Photodiode Array (PDA) for X-ray Scanning

### About Excelitas Technologies

Excelitas Technologies is a global technology leader focused on delivering innovative, customized solutions to meet the lighting, detection and other high-performance technology needs of OEM customers.

From analytical instrumentation to clinical diagnostics, medical, industrial, safety and security, and aerospace and defense applications, Excelitas Technologies is committed to enabling our customers' success in their specialty end-markets. Excelitas Technologies has approximately 3,000 employees in North America, Europe and Asia, serving customers across the world.

**Excelitas Technologies**  
22001 Dumberry Road  
Vaudreuil-Dorion, Quebec  
Canada J7V 8P7  
Telephone: (+1) 450.424.3300  
Toll-free: (+1) 800.775.6786  
Fax: (+1) 450.424.3345  
detection@excelitas.com

**European Headquarters**  
**Excelitas Technologies**  
**GmbH & Co. KG**  
Wenzel-Jaksch-Str. 31  
D-65199 Wiesbaden  
Germany  
Telephone: (+49) 611 492 430  
Fax: (+49) 611 492 165  
detection.europe@excelitas.com

**Asia Headquarters**  
**Excelitas Technologies**  
47 Ayer Rajah Crescent #06-12  
Singapore 139947  
Telephone: (+65) 6775-2022  
Fax: (+65) 6775-1008



For a complete listing of our global offices, visit [www.excelitas.com/ContactUs](http://www.excelitas.com/ContactUs)

© 2011 Excelitas Technologies Corp. All rights reserved. The Excelitas logo and design are registered trademarks of Excelitas Technologies Corp. All other trademarks not owned by Excelitas Technologies or its subsidiaries that are depicted herein are the property of their respective owners. Excelitas reserves the right to change this document at any time without notice and disclaims liability for editorial, pictorial or typographical errors.